

GENERAL NOTES:
 1. THIS DRAWING IS A PROPERTY OF DESIGN TECHNIQS AND IS NOT TO BE USED OR REPRODUCED WITHOUT PERMISSION.
 2. ALL DIMENSIONS ARE IN MM UNLESS SPECIFIED OTHERWISE.
 3. ONLY WRITTEN DIMENSIONS ARE TO BE FOLLOWED. NO DIMENSIONS ARE TO BE PHYSICALLY MEASURED FROM THE DRAWING. DRAWINGS ARE NOT TO BE SCALED.
 4. CONTRACTORS / VENDORS MUST VERIFY DIMENSIONS ON THE PROJECT AND REPORT DISCREPANCIES IF ANY TO DESIGN TECHNIQS.
 5. DRAWINGS SHALL BE READ IN CONJUNCTION WITH SERVICES / STRUCTURE RELATED DRAWINGS.

MOUNTING HEIGHTS		
NO.	SCHEDULE OF FIXTURE / FITTINGS	MOUNTING HTS FROM F.F.L
01	EUROPEAN WATER CLOSET (FIX)	400 mm
02	WASH BASIN (FIX)	800 mm
03	HEALTH FAUCET FOR EWC	450 mm
04	BOTTLE TRAP FOR WASHBASIN	500 mm
05	FLUSHING CISTERN FOR EWC	1000 mm
06	SHOWER ARM WITH HEAD	2050 mm
07	SHOWER MIXER / DIVERTER	1050 mm
08	SHOWER SPOUT	750 mm
09	CONCEALED CISTERN INLET AV	1050 mm
10	SINK AV	450 mm

LEGEND :-

- SP SOIL PIPE
- WP WASTE PIPE
- RWP RAIN WATER PIPE
- WP 40 & 50# WASTE PIPE
- OHT FILLING LINE
- DOMESTIC WATER SUPPLY (BOOSTER LINE) 8TH TO 6TH FL
- DOMESTIC WATER SUPPLY (GRAVITY LINE) 5TH TO BELOW FLOOR
- HOT WATER SUPPLY LINE
- BT BALL VALVE
- FT FLOOR TRAP
- BT BALCONY TRAP
- GT GULLY TRAP
- IC INSPECTION CHAMBER
- RWC RAIN WATER COLLECTION CHAMBER
- Submersible type OHT Filling Pump

REVISIONS:

REV NO	DESCRIPTION	DATE	REMARK
R1	REVISED AS PER COMMENTS	22.07.2022	
R0	ISSUED FOR APPROVAL	05.07.2022	

CLIENT:

ARCHITECT: **SHETGIRI & ASSOCIATES**
 ARCHITECTS, ENGINEERS, INTERIOR DESIGNERS,
 PROJECT MANAGEMENT CONSULTANTS, VALUERS
 1st Floor, Block No. 3, Sathyam, Plot No. 2, 2nd Avenue, Anna Nagar, Chennai - 600 029
 FAX: 91-22-2431 6762, TEL: 91-22-2422 3900/2422 4014/CELL: 9 98211 38367
 E-MAIL: shetgiriassociates@shetgiri.com / shetgiriassociates@gmail.com

MEP CONSULTANTS:
DESIGN TECHNIQS
 101, 102, 103, 104, 105, 106, 107, 108, 109, 110, 111, 112, 113, 114, 115, 116, 117, 118, 119, 120, 121, 122, 123, 124, 125, 126, 127, 128, 129, 130, 131, 132, 133, 134, 135, 136, 137, 138, 139, 140, 141, 142, 143, 144, 145, 146, 147, 148, 149, 150, 151, 152, 153, 154, 155, 156, 157, 158, 159, 160, 161, 162, 163, 164, 165, 166, 167, 168, 169, 170, 171, 172, 173, 174, 175, 176, 177, 178, 179, 180, 181, 182, 183, 184, 185, 186, 187, 188, 189, 190, 191, 192, 193, 194, 195, 196, 197, 198, 199, 200, 201, 202, 203, 204, 205, 206, 207, 208, 209, 210, 211, 212, 213, 214, 215, 216, 217, 218, 219, 220, 221, 222, 223, 224, 225, 226, 227, 228, 229, 230, 231, 232, 233, 234, 235, 236, 237, 238, 239, 240, 241, 242, 243, 244, 245, 246, 247, 248, 249, 250, 251, 252, 253, 254, 255, 256, 257, 258, 259, 260, 261, 262, 263, 264, 265, 266, 267, 268, 269, 270, 271, 272, 273, 274, 275, 276, 277, 278, 279, 280, 281, 282, 283, 284, 285, 286, 287, 288, 289, 290, 291, 292, 293, 294, 295, 296, 297, 298, 299, 300, 301, 302, 303, 304, 305, 306, 307, 308, 309, 310, 311, 312, 313, 314, 315, 316, 317, 318, 319, 320, 321, 322, 323, 324, 325, 326, 327, 328, 329, 330, 331, 332, 333, 334, 335, 336, 337, 338, 339, 340, 341, 342, 343, 344, 345, 346, 347, 348, 349, 350, 351, 352, 353, 354, 355, 356, 357, 358, 359, 360, 361, 362, 363, 364, 365, 366, 367, 368, 369, 370, 371, 372, 373, 374, 375, 376, 377, 378, 379, 380, 381, 382, 383, 384, 385, 386, 387, 388, 389, 390, 391, 392, 393, 394, 395, 396, 397, 398, 399, 400, 401, 402, 403, 404, 405, 406, 407, 408, 409, 410, 411, 412, 413, 414, 415, 416, 417, 418, 419, 420, 421, 422, 423, 424, 425, 426, 427, 428, 429, 430, 431, 432, 433, 434, 435, 436, 437, 438, 439, 440, 441, 442, 443, 444, 445, 446, 447, 448, 449, 450, 451, 452, 453, 454, 455, 456, 457, 458, 459, 460, 461, 462, 463, 464, 465, 466, 467, 468, 469, 470, 471, 472, 473, 474, 475, 476, 477, 478, 479, 480, 481, 482, 483, 484, 485, 486, 487, 488, 489, 490, 491, 492, 493, 494, 495, 496, 497, 498, 499, 500, 501, 502, 503, 504, 505, 506, 507, 508, 509, 510, 511, 512, 513, 514, 515, 516, 517, 518, 519, 520, 521, 522, 523, 524, 525, 526, 527, 528, 529, 530, 531, 532, 533, 534, 535, 536, 537, 538, 539, 540, 541, 542, 543, 544, 545, 546, 547, 548, 549, 550, 551, 552, 553, 554, 555, 556, 557, 558, 559, 560, 561, 562, 563, 564, 565, 566, 567, 568, 569, 570, 571, 572, 573, 574, 575, 576, 577, 578, 579, 580, 581, 582, 583, 584, 585, 586, 587, 588, 589, 590, 591, 592, 593, 594, 595, 596, 597, 598, 599, 600, 601, 602, 603, 604, 605, 606, 607, 608, 609, 610, 611, 612, 613, 614, 615, 616, 617, 618, 619, 620, 621, 622, 623, 624, 625, 626, 627, 628, 629, 630, 631, 632, 633, 634, 635, 636, 637, 638, 639, 640, 641, 642, 643, 644, 645, 646, 647, 648, 649, 650, 651, 652, 653, 654, 655, 656, 657, 658, 659, 660, 661, 662, 663, 664, 665, 666, 667, 668, 669, 670, 671, 672, 673, 674, 675, 676, 677, 678, 679, 680, 681, 682, 683, 684, 685, 686, 687, 688, 689, 690, 691, 692, 693, 694, 695, 696, 697, 698, 699, 700, 701, 702, 703, 704, 705, 706, 707, 708, 709, 710, 711, 712, 713, 714, 715, 716, 717, 718, 719, 720, 721, 722, 723, 724, 725, 726, 727, 728, 729, 730, 731, 732, 733, 734, 735, 736, 737, 738, 739, 740, 741, 742, 743, 744, 745, 746, 747, 748, 749, 750, 751, 752, 753, 754, 755, 756, 757, 758, 759, 760, 761, 762, 763, 764, 765, 766, 767, 768, 769, 770, 771, 772, 773, 774, 775, 776, 777, 778, 779, 780, 781, 782, 783, 784, 785, 786, 787, 788, 789, 790, 791, 792, 793, 794, 795, 796, 797, 798, 799, 800, 801, 802, 803, 804, 805, 806, 807, 808, 809, 810, 811, 812, 813, 814, 815, 816, 817, 818, 819, 820, 821, 822, 823, 824, 825, 826, 827, 828, 829, 830, 831, 832, 833, 834, 835, 836, 837, 838, 839, 840, 841, 842, 843, 844, 845, 846, 847, 848, 849, 850, 851, 852, 853, 854, 855, 856, 857, 858, 859, 860, 861, 862, 863, 864, 865, 866, 867, 868, 869, 870, 871, 872, 873, 874, 875, 876, 877, 878, 879, 880, 881, 882, 883, 884, 885, 886, 887, 888, 889, 890, 891, 892, 893, 894, 895, 896, 897, 898, 899, 900, 901, 902, 903, 904, 905, 906, 907, 908, 909, 910, 911, 912, 913, 914, 915, 916, 917, 918, 919, 920, 921, 922, 923, 924, 925, 926, 927, 928, 929, 930, 931, 932, 933, 934, 935, 936, 937, 938, 939, 940, 941, 942, 943, 944, 945, 946, 947, 948, 949, 950, 951, 952, 953, 954, 955, 956, 957, 958, 959, 960, 961, 962, 963, 964, 965, 966, 967, 968, 969, 970, 971, 972, 973, 974, 975, 976, 977, 978, 979, 980, 981, 982, 983, 984, 985, 986, 987, 988, 989, 990, 991, 992, 993, 994, 995, 996, 997, 998, 999, 1000

PROJECT: SBI STAFF QUARTER

DRAWING NAME: GROUND FLOOR PHE WATER SUPPLY & LAYOUT

DRAWING NO: DT-SBI/PHE/001

SCALE:	DATE:	REVISION:	SHEET SIZE:
NTS	05.07.2022	R1	A2
DRAWN BY: TAMIL	CHECKED BY: PJ	APPROVED BY: AS	NORTH

GENERAL NOTES:
 1. THIS DRAWING IS A PROPERTY OF DESIGN TECHNIQS AND IS NOT TO BE USED OR REPRODUCED WITHOUT PERMISSION.
 2. ALL DIMENSIONS ARE IN MM UNLESS SPECIFIED OTHERWISE.
 3. ONLY WRITTEN DIMENSIONS ARE TO BE FOLLOWED. NO DIMENSIONS ARE TO BE PHYSICALLY MEASURED FROM THE DRAWING. DRAWINGS ARE NOT TO BE SCALED.
 4. CONTRACTORS / VENDORS MUST VERIFY DIMENSIONS ON THE PROJECT AND REPORT DISCREPANCIES IF ANY TO DESIGN TECHNIQS.
 5. DRAWINGS SHALL BE READ IN CONJUNCTION WITH SERVICES / STRUCTURE RELATED DRAWINGS.

MOUNTING HEIGHTS		
NO.	SCHEDULE OF FIXTURE / FITTINGS	MOUNTING HTS FROM F.F.L
01	EUROPEAN WATER CLOSET (FIX)	400 mm
02	WASH BASIN (FIX)	800 mm
03	HEALTH FAUCET FOR EWC	450 mm
04	BOTTLE TRAP FOR WASHBASIN	500 mm
05	FLUSHING CISTERN FOR EWC	1000 mm
06	SHOWER ARM WITH HEAD	2050 mm
07	SHOWER MIXER / DIVERTER	1050 mm
08	SHOWER SPOUT	750 mm
09	CONCEALED CISTERN INLET AV	1050 mm
10	SINK AV	450 mm

LEGEND :-

	SP	SOIL PIPE
	WP	WASTE PIPE
	RWP	RAIN WATER PIPE
	WP	40 & 50ø WASTE PIPE
		OHT FILLING LINE
		DOMESTIC WATER SUPPLY (BOOSTER LINE) 8TH TO 6TH FL
		DOMESTIC WATER SUPPLY (GRAVITY LINE) 5TH TO BELOW FLOOR
		HOT WATER SUPPLY LINE
	DKV	BALL VALVE
	FT	FLOOR TRAP
	BT	BALCONY TRAP

REVISIONS:

REV. NO	DESCRIPTION	DATE	REMARK
R1	REVISED AS PER COMMENTS	22.07.2022	
R0	ISSUED FOR APPROVAL	05.07.2022	

CLIENT:

ARCHITECT: **SHEETGURI & ASSOCIATES**
 ARCHITECTS, ENGINEERS, INTERIOR DESIGNERS,
 PROJECT MANAGEMENT CONSULTANTS, VALUERS
 1st Floor, Block-10, Sathyabama, High-C.E. Road, Chittoor, AP, 515004
 FAX: +91 22 2431 6702, TEL: +91 22 2422 3900/2422 4014, CELL: 99621138367
 E-MAIL: sheetguriassociates@yahoo.co.in / sheetguriassociates@gmail.com

MEP CONSULTANTS:

DESIGN TECHNIQS
 108, Main Industrial Area, Sree Sai Ind. Est.,
 1st Floor, Sree Sai Ind. Est., Sree Sai Ind. Est.,
 Sree Sai Ind. Est., Sree Sai Ind. Est., Sree Sai Ind. Est.
 Tel: +91 22 2431 6702, TEL: +91 22 2422 3900/2422 4014, CELL: 99621138367
 E-MAIL: designtechniqs@gmail.com
 Web: www.designtechniqs.com

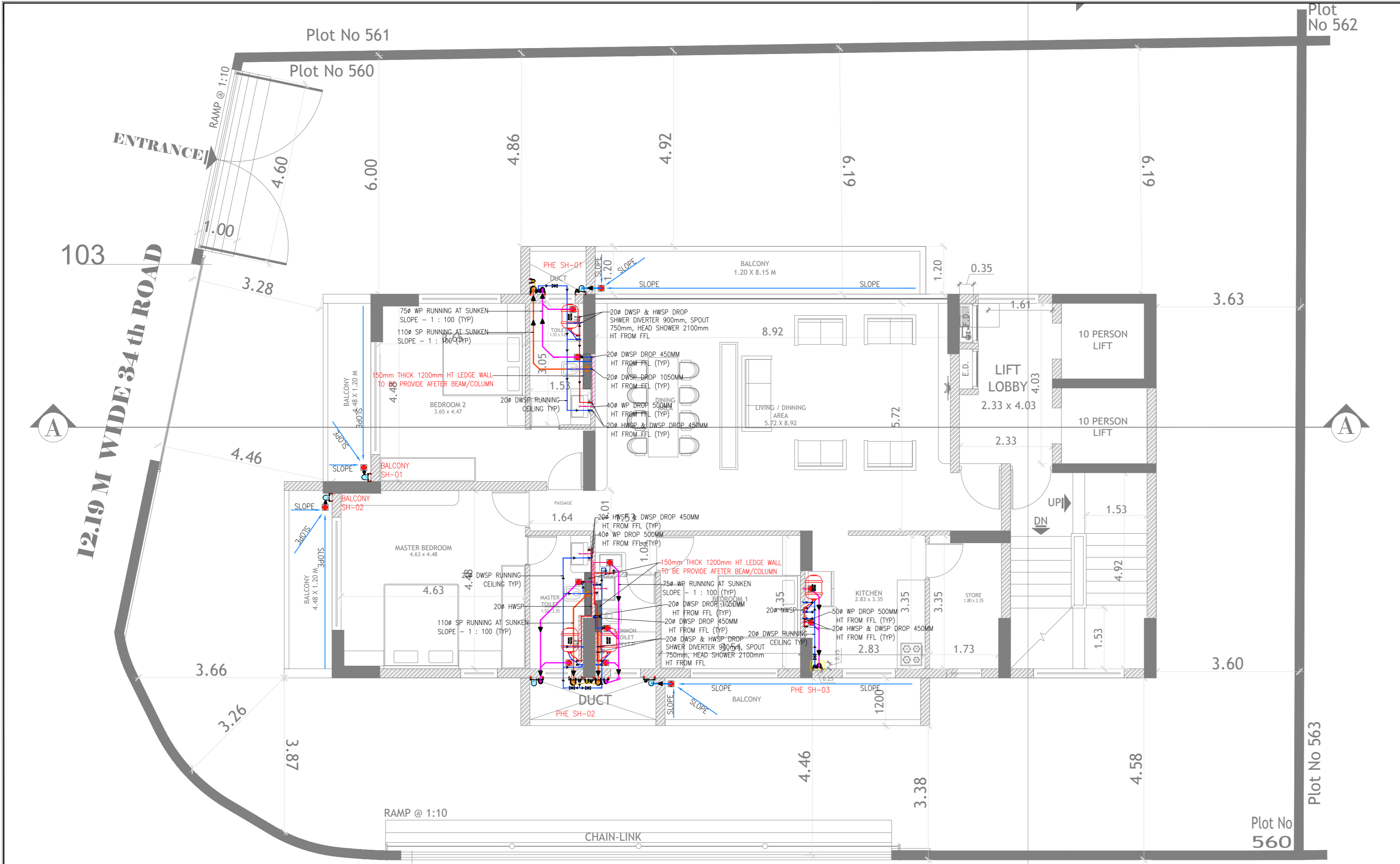
PROJECT: SBI STAFF QUARTER

DRAWING NAME: 1ST TO 5TH FLOOR PHE WATER SUPPLY & LAYOUT

DRAWING NO: DT-SBI/1 TO 5TH FL PHE/002

SCALE:	DATE:	REVISION:	SHEET SIZE:
NTS	05.07.2022	R1	A2
DRAWN BY:	CHECKED BY:	APPROVED BY:	NORTH
TAMIL	PJ	AS	





GENERAL NOTES:
 1. THIS DRAWING IS A PROPERTY OF DESIGN TECHNIQS AND IS NOT TO BE USED OR REPRODUCED WITHOUT PERMISSION.
 2. ALL DIMENSIONS ARE IN MM UNLESS SPECIFIED OTHERWISE.
 3. ONLY WRITTEN DIMENSIONS ARE TO BE FOLLOWED. NO DIMENSIONS ARE TO BE PHYSICALLY MEASURED FROM THE DRAWING. DRAWINGS ARE NOT TO BE SCALED.
 4. CONTRACTORS / VENDORS MUST VERIFY DIMENSIONS ON THE PROJECT AND REPORT DISCREPANCIES IF ANY TO DESIGN TECHNIQS.
 5. DRAWINGS SHALL BE READ IN CONJUNCTION WITH SERVICES / STRUCTURE RELATED DRAWINGS.

MOUNTING HEIGHTS		
NO.	SCHEDULE OF FIXTURE / FITTINGS	MOUNTING HTS FROM F.F.L
01	EUROPEAN WATER CLOSET (FIX)	400 mm
02	WASH BASIN (FIX)	800 mm
03	HEALTH FAUCET FOR EWC	450 mm
04	BOTTLE TRAP FOR WASHBASIN	500 mm
05	FLUSHING CISTERN FOR EWC	1000 mm
06	SHOWER ARM WITH HEAD	2050 mm
07	SHOWER MIXER / DIVERTER	1050 mm
08	SHOWER SPOUT	750 mm
09	CONCEALED CISTERN INLET AV	1050 mm
10	SINK AV	450 mm

LEGEND :-

	SP	SOIL PIPE
	WP	WASTE PIPE
	RWP	RAIN WATER PIPE
	WP	40 & 50# WASTE PIPE
		OHT FILLING LINE
		DOMESTIC WATER SUPPLY (BOOSTER LINE) 8TH TO 6TH FL
		DOMESTIC WATER SUPPLY (GRAVITY LINE) 5TH TO BELOW FLOOR
		HOT WATER SUPPLY LINE
	DK	BALL VALVE
	FT	FLOOR TRAP
	BT	BALCONY TRAP

REVISIONS:

REV. NO	DESCRIPTION	DATE	REMARK
R1	REVISED AS PER COMMENTS	22.07.2022	
R0	ISSUED FOR APPROVAL	05.07.2022	

ARCHITECT:

 ARCHITECTS, ENGINEERS, INTERIOR DESIGNERS, PROJECT MANAGEMENT CONSULTANTS, VALUERS
 1st Floor, Block - 01, Sathyapriya High Rise, Road: (11A) ROAD NO. 4229
 P.O. - SRI PERUMBURU, DISTRICT - KANNIYAKUMARI, TAMIL NADU
 TEL: 91-22-2431 6702, TEL: 91-22-2422 3960/2422 4814, CELL: 9821133667
 E-MAIL: sheetgiriassociates@sheetgiri.com / sheetgiriassociates@gmail.com

MEP CONSULTANTS:

 11B, 11th Industrial Estate, Sree Sri Lal, 11th Floor, Block - 01, Sathyapriya High Rise, Road: (11A) ROAD NO. 4229
 P.O. - SRI PERUMBURU, DISTRICT - KANNIYAKUMARI, TAMIL NADU
 TEL: 91-22-2431 6702, TEL: 91-22-2422 3960/2422 4814, CELL: 9821133667
 E-MAIL: designtechniqs@gmail.com / designtechniqs.com

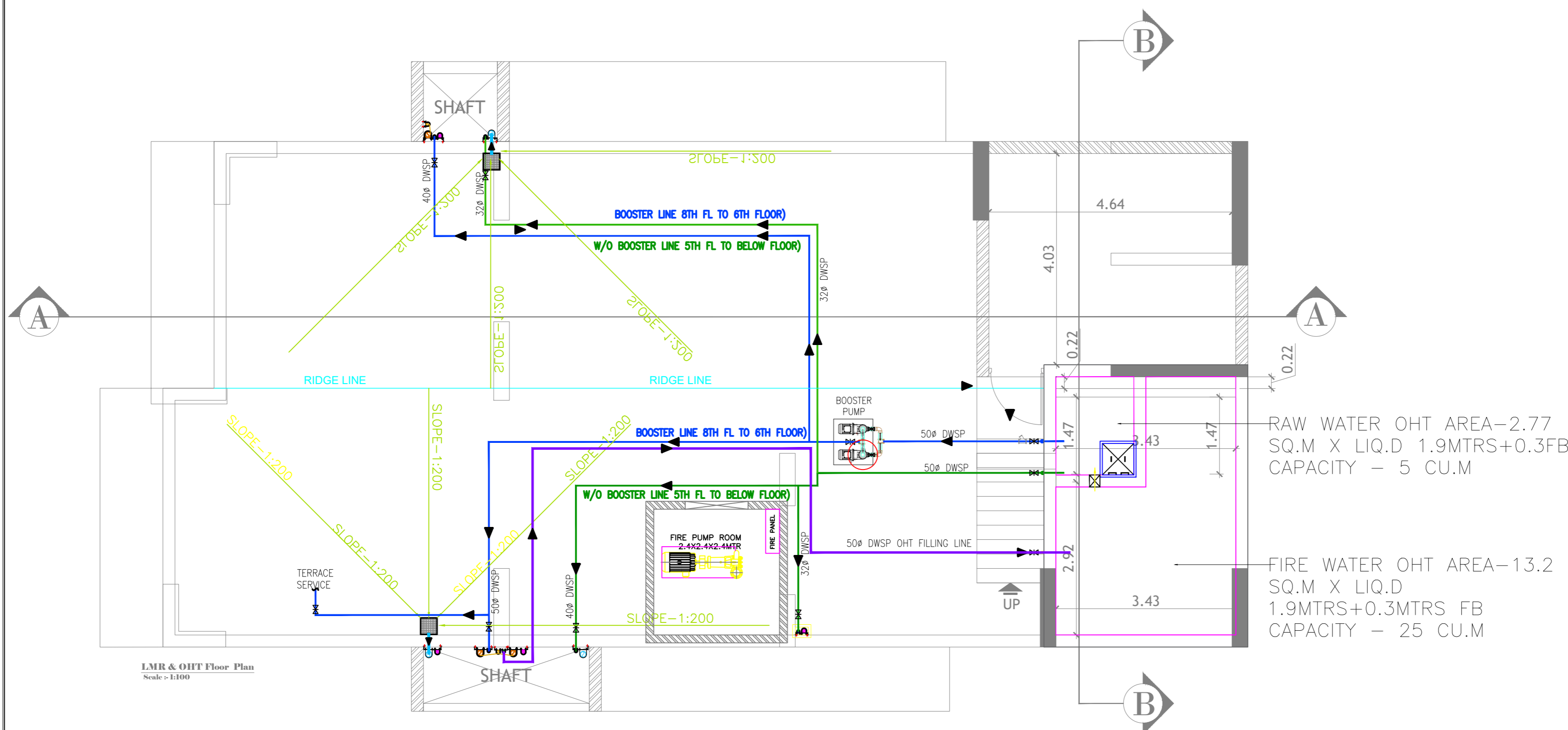
PROJECT:
SBI STAFF QUARTER

DRAWING NAME:
1ST TO 5TH FLOOR PHE WATER SUPPLY & LAYOUT

DRAWING NO:
DT-SBI/1 TO 5TH FL PHE/002

SCALE:	DATE:	REVISION:	SHEET SIZE:
NTS	05.07.2022	R1	A2
DRAWN BY:	CHECKED BY:	APPROVED BY:	NORTH
TAMIL	PJ	AS	

GENERAL NOTES:
 1. THIS DRAWING IS A PROPERTY OF DESIGN TECHNIQS AND IS NOT TO BE USED OR REPRODUCED WITHOUT PERMISSION.
 2. ALL DIMENSIONS ARE IN MM UNLESS SPECIFIED OTHERWISE.
 3. ONLY WRITTEN DIMENSIONS ARE TO BE FOLLOWED. NO DIMENSIONS ARE TO BE PHYSICALLY MEASURED FROM THE DRAWING. DRAWINGS ARE NOT TO BE SCALED.
 4. CONTRACTORS / VENDORS MUST VERIFY DIMENSIONS ON THE PROJECT AND REPORT DISCREPANCIES IF ANY TO DESIGN TECHNIQS.
 5. DRAWINGS SHALL BE READ IN CONJUNCTION WITH SERVICES / STRUCTURE RELATED DRAWINGS.



LMR & OHT Floor Plan
 Scale : 1:100

LEGEND :-

	SP	SOIL PIPE
	WP	WASTE PIPE
	RWP	RAIN WATER PIPE
		OHT FILLING LINE
		DOMESTIC WATER SUPPLY (BOOSTER LINE) 8TH TO 6TH FL
		DOMESTIC WATER SUPPLY (GRAVITY LINE) 5TH TO BELOW FLOOR
		RAINWATER OUTLET KHURRA
		BALL VALVE
		NON RETURN VALVE
		TRANSFER PUMP
		WATER TREATMENT FILTER

REVISIONS:

REV. NO	DESCRIPTION	DATE	REMARK
R1	REVISED AS PER COMMENTS	22.07.2022	
R0	ISSUED FOR APPROVAL	05.07.2022	

CLIENT:

ARCHITECT:
SHETGIRI & ASSOCIATES
 ARCHITECTS, ENGINEERS, INTERIOR DESIGNERS,
 PROJECT MANAGEMENT CONSULTANTS, VALUERS
 1st Floor, Block no.1, Sathyapada, High School Road, Changanassery, KERALA-692001
 TEL: 91-22-2431 6702, TEL: 91-22-2422 3980/2422 4014, CELL: 09821138367
 E-MAIL: shetgiriconsultants@yahoo.co.in / shetgiriconsultants@gmail.com

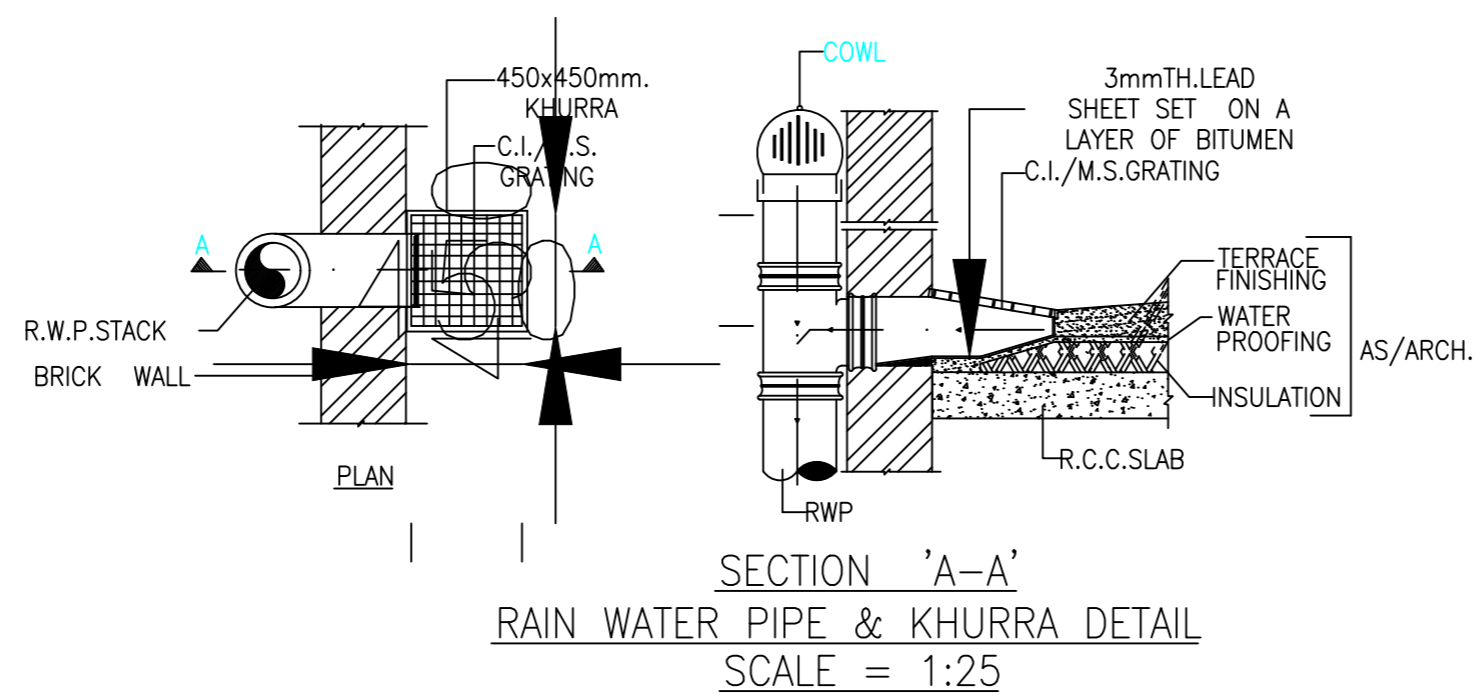
MEP CONSULTANTS:
DESIGN TECHNIQS
 108, Rajahmundry Road, 5th Floor, 1st Unit,
 Rajahmundry (U), Andhra Pradesh
 TEL: 91-22-2431 6702, TEL: 91-22-2422 3980/2422 4014, CELL: 09821138367
 E-MAIL: designtechniqs@gmail.com
 Web site: www.designtechniqs.in

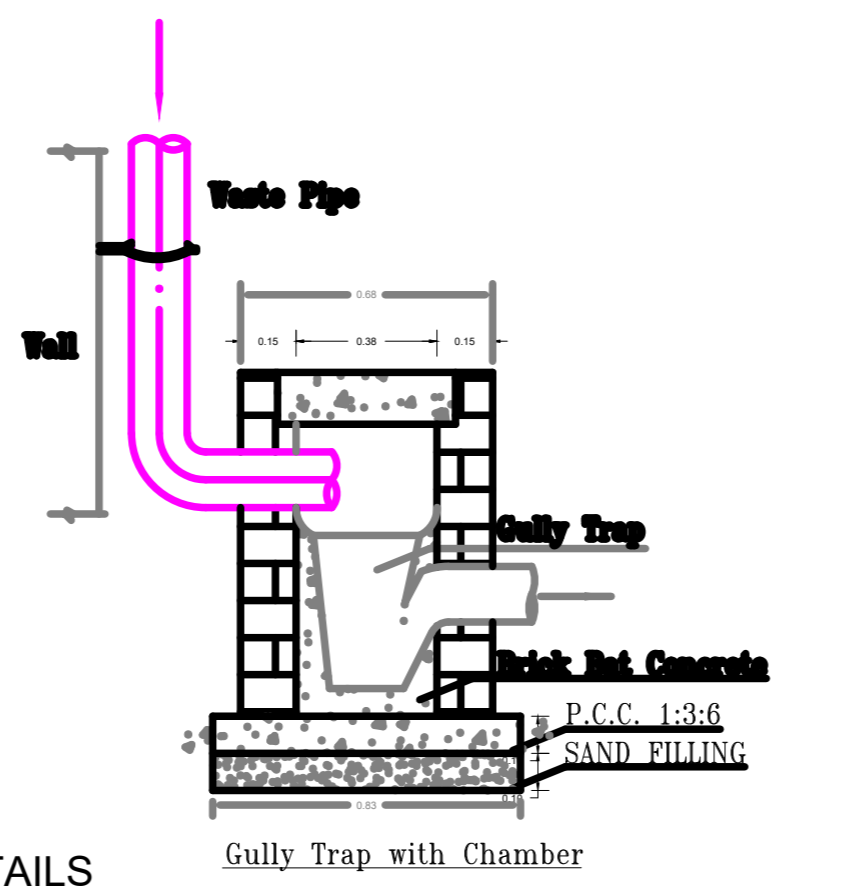
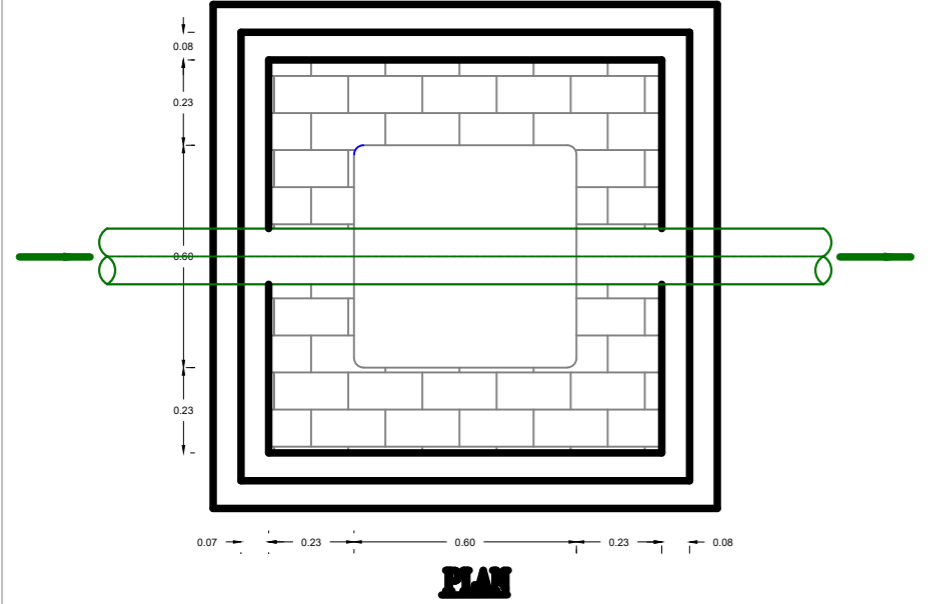
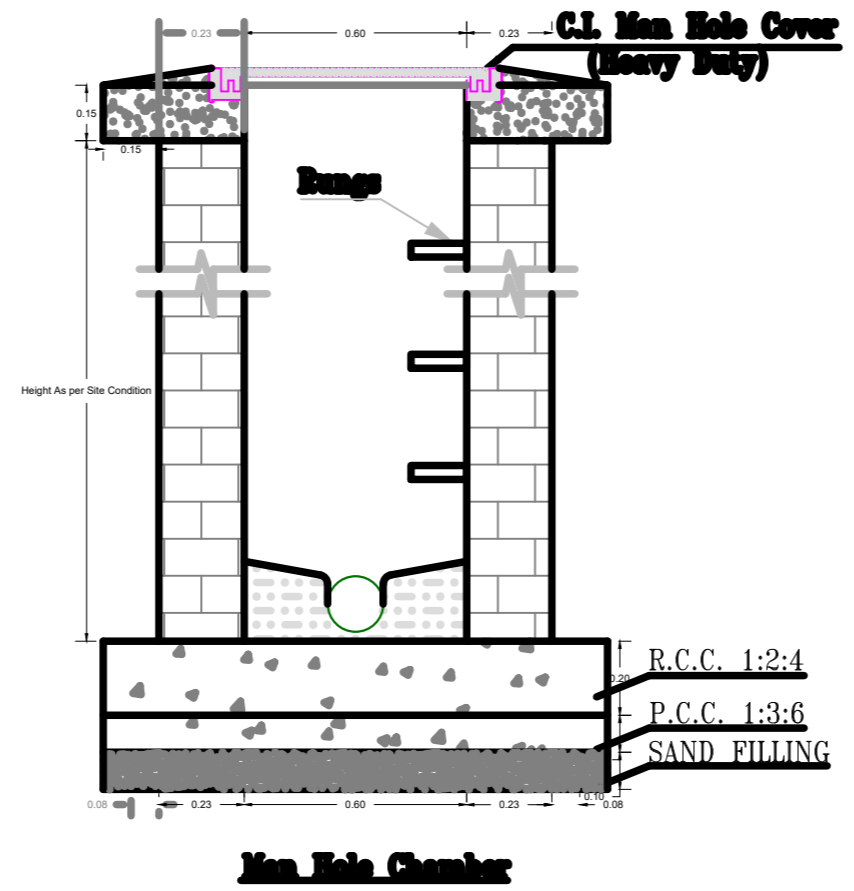
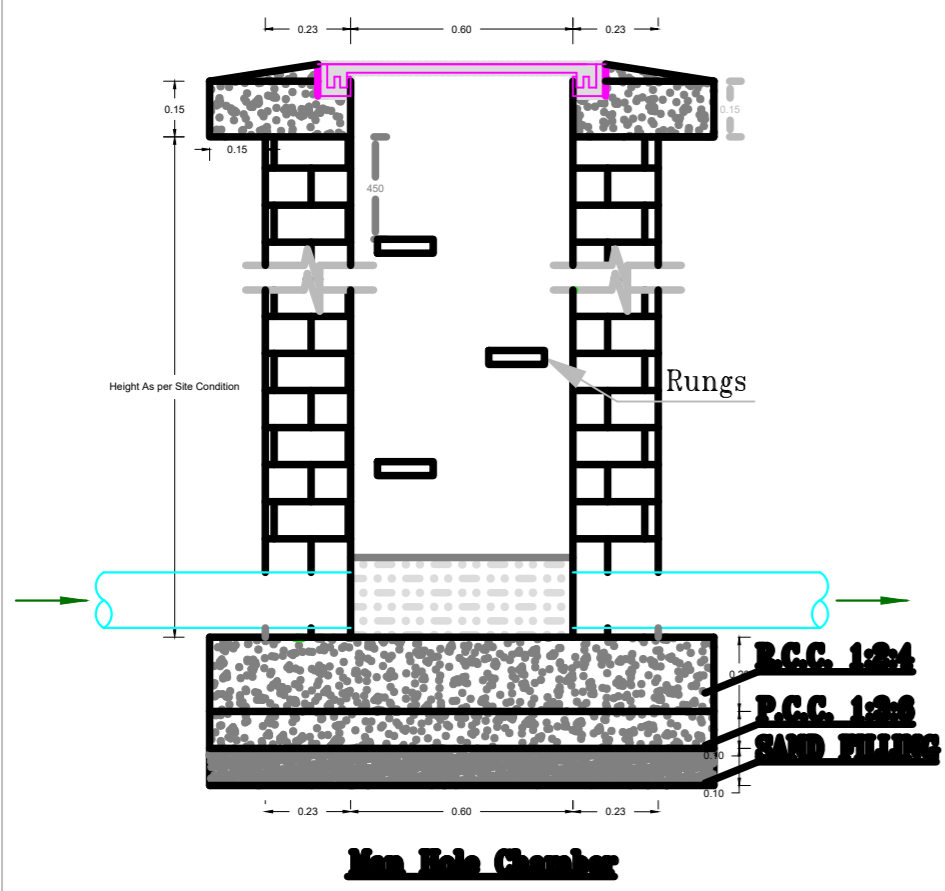
PROJECT: SBI STAFF QUARTER

DRAWING NAME: TERRACE FLOOR PHE WATER SUPPLY & LAYOUT

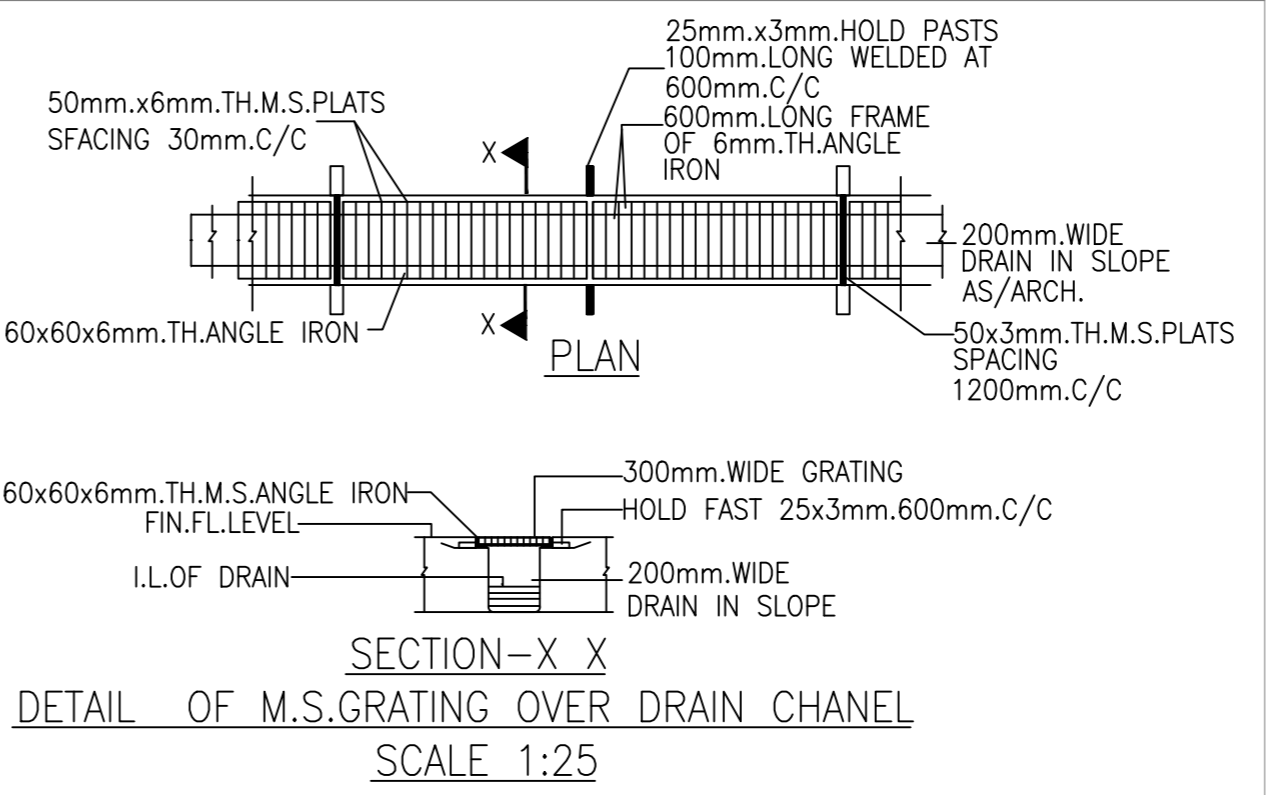
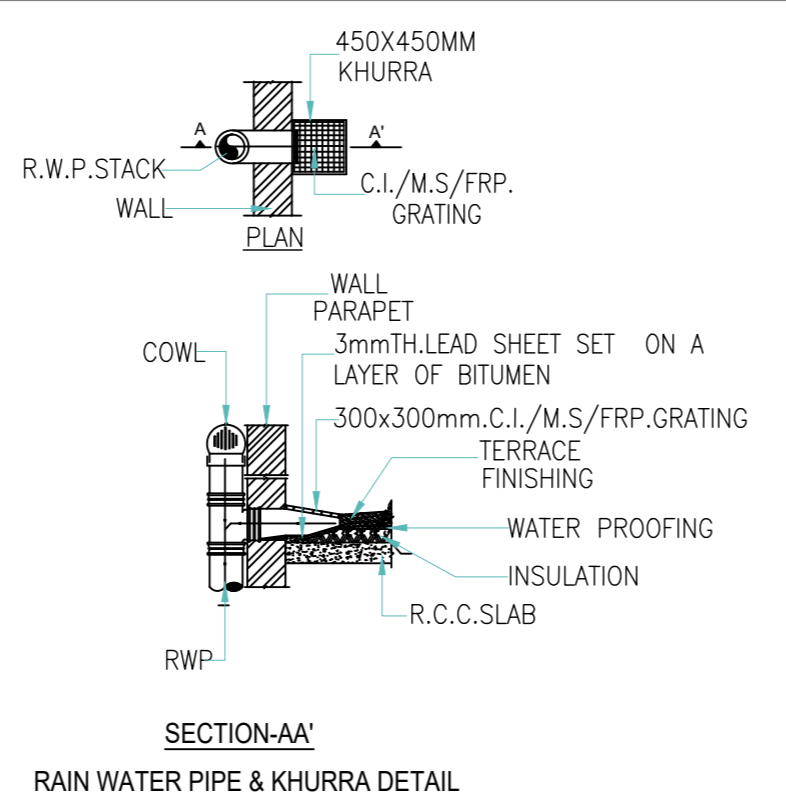
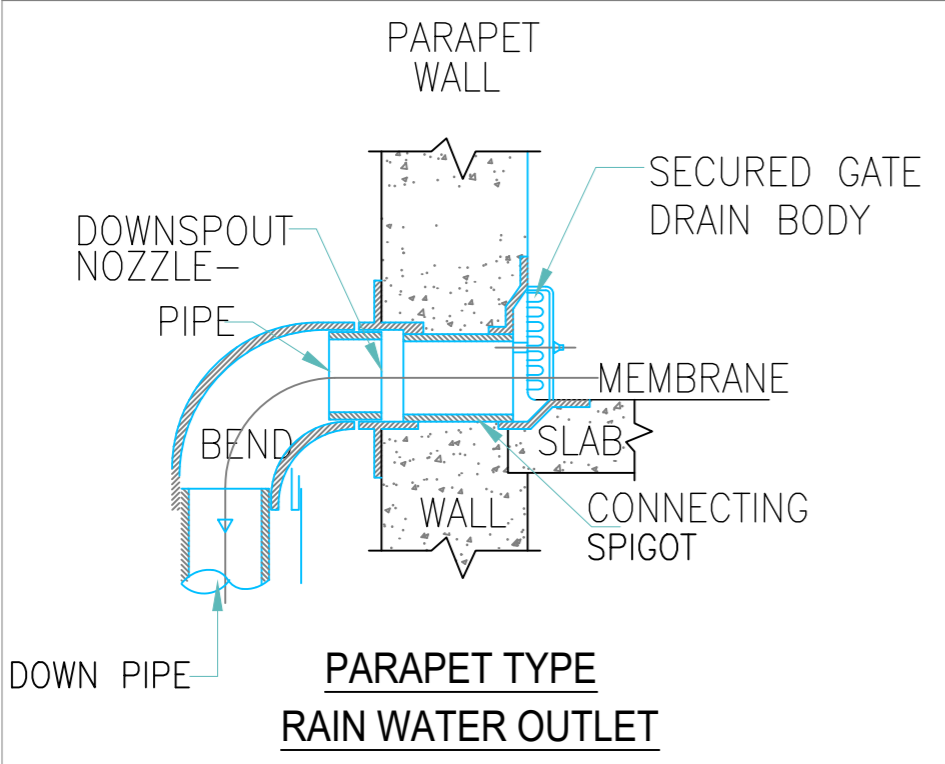
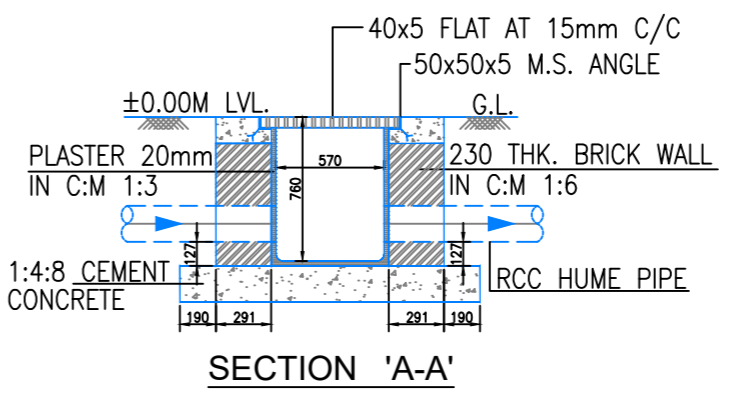
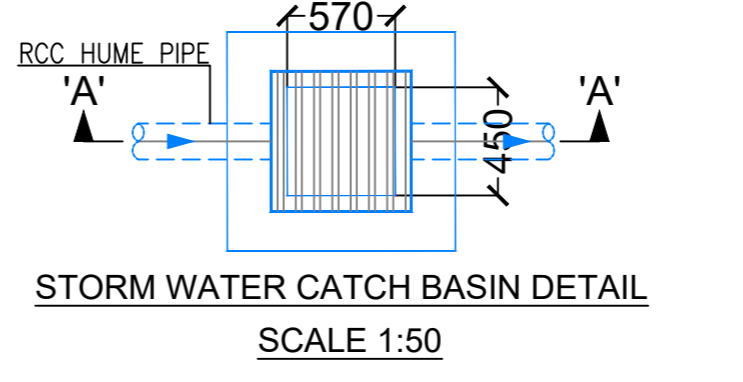
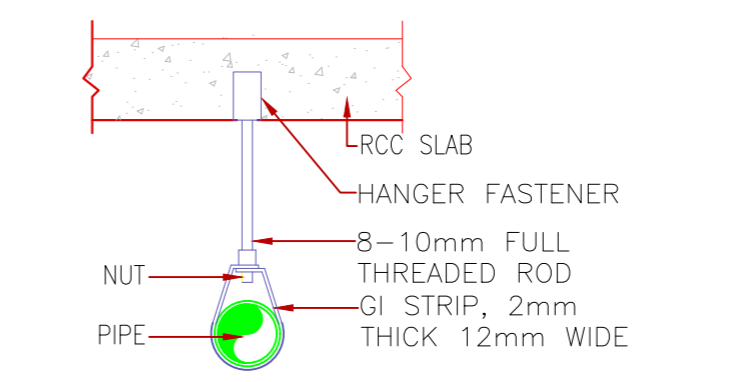
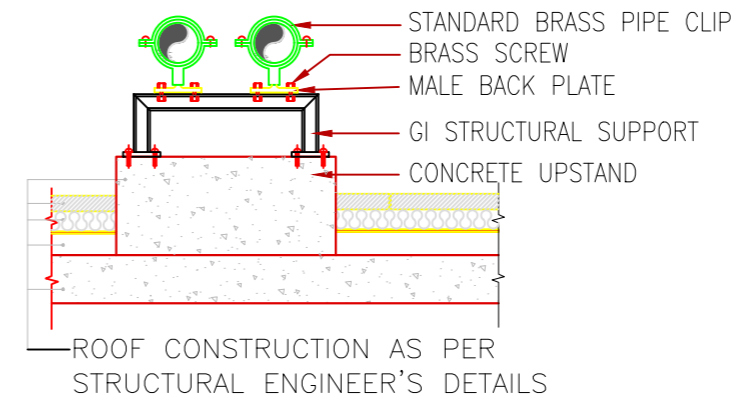
DRAWING NO: DT-SBI/PHE/010

SCALE: NTS	DATE: 05.07.2022	REVISION: R1	SHEET SIZE: A2
DRAWN BY: TAMIL	CHECKED BY: PJ	APPROVED BY: AS	NORTH





STANDARD DETAILS FOR GULLY TRAP & INSPECTION CHAMBER



GENERAL NOTES:
 1. THIS DRAWING IS A PROPERTY OF DESIGN TECHNIQS AND IS NOT TO BE USED OR REPRODUCED WITHOUT PERMISSION.
 2. ALL DIMENSIONS ARE IN MM UNLESS SPECIFIED OTHERWISE.
 3. ONLY WRITTEN DIMENSIONS ARE TO BE FOLLOWED, NO DIMENSIONS ARE TO BE PHYSICALLY MEASURED FROM THE DRAWING. DRAWINGS ARE NOT TO BE SCALED.
 4. CONTRACTORS / VENDORS MUST VERIFY DIMENSIONS ON THE PROJECT AND REPORT DISCREPANCIES IF ANY TO DESIGN TECHNIQS.
 5. DRAWINGS SHALL BE READ IN CONJUNCTION WITH SERVICES / STRUCTURE RELATED DRAWINGS.

REVISIONS:

REV. NO.	DESCRIPTION	DATE	REMARK
R0	ISSUED FOR APPROVAL	05.07.2022	

CLIENT:

ARCHITECT: SHIETGIRI & ASSOCIATES
 ARCHITECTS, ENGINEERS, INTERIOR DESIGNERS, PROJECT MANAGEMENT CONSULTANTS, VALUERS
 1st Floor, Block-101, Sakinaka, Ring Road, Sakinaka, Chennai-600 092
 Tel: 91-22-2431 6702, TEL: 91-22-2422 3909/2422 4014, CELL: 91821138367
 E-MAIL: shietgiriassociates@yahoo.co.in / shietgiriassociates@gmail.com

MEP CONSULTANTS: DESIGN TECHNIQS
 101, Main Industrial Precinct, 5mgp, Sri Lal, May, N.S., Upper Industrial Complex, Sri-Chandrasekhar (S), Sakinaka-600022
 Tel: 022-24314700 / Fax: 9822212123
 Email: designtechniqs@gmail.com
 Web: www.designtechniqs.in

PROJECT: SBI STAFF QUARTER

DRAWING NAME: PHE TYPICAL DETAILS LAYOUT

DRAWING NO: DT-SBI/PHE/011

SCALE:	DATE:	REVISION:	SHEET SIZE:
NTS	05.07.2022	R0	A0
DRAWN BY: TAMIL	CHECKED BY: PJ	APPROVED BY: AS	NORTH